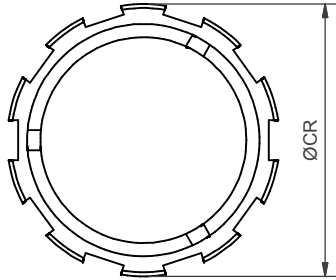
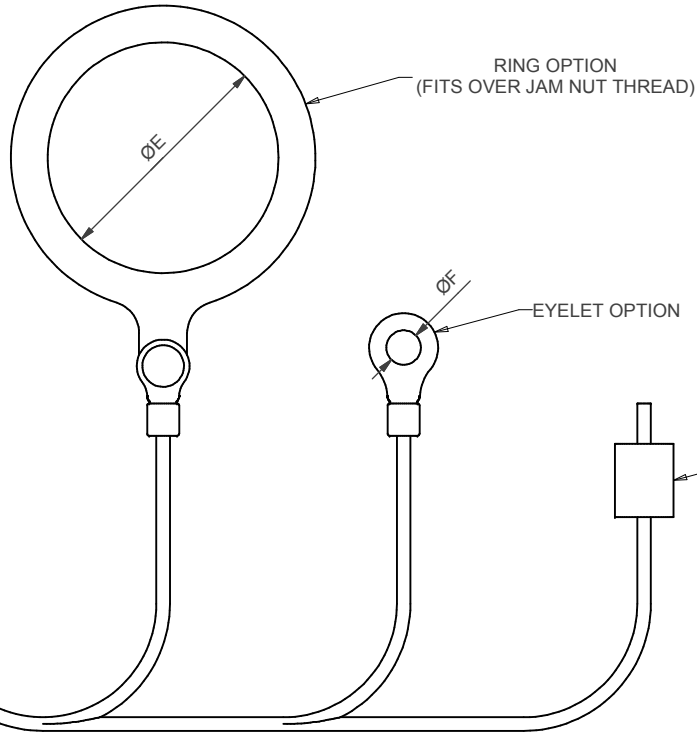
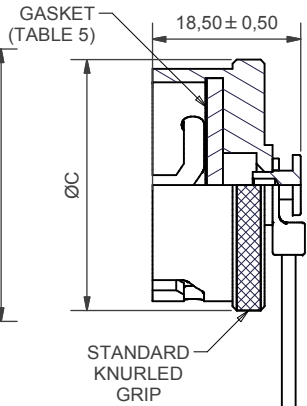


100P603R-...
ARCTIC GRIP VERSION



100P603-...
STANDARD GRIP VERSION



NOTE 1 - ATTACHMENT TYPE
00 - NO EYELET OR RING
01-05 - EYELET REF. (SEE TABLE 2)
08-24 - RING REF. (SEE TABLE 3)
CF - SUPPLIED WITH CRIMP FERRULE

TABLE 1

SHELL SIZE	C MAX	CR MAX
08	17,3	20,0
10	20,3	23,0
12	24,3	27,0
14	27,3	30,0
16	31,3	34,0
18	35,3	38,0
20	37,3	40,0
22	40,8	44,0
24	43,8	46,0

TABLE 4

CODE	LANYARD TYPE
WR	NYLON COVERED STAINLESS STEEL WIRE ROPE
TC	TEFLON COVERED STAINLESS STEEL WIRE ROPE
LC	STAINLESS STEEL LINK CHAIN
R	OLIVE DRAB POLYESTER CORD

TABLE 5

CODE	MATERIAL	GASKET MATERIAL
1	ALUMINIUM	SILICONE
2	NICKEL ALUMINIUM BRONZE	SILICONE
4	STAINLESS STEEL	VITON
7	BLACK ACETAL	SILICONE
71	COMPOSITE	SILICONE

TABLE 6

CODE	PLATING
B	CADMIUM OLIVE DRAB OVER ELECTROLESS NICKEL
C	ELECTROLESS NICKEL
U	UNPLATED
ZB	ZINC COBALT OLIVE DRAB OVER ELECTROLESS NICKEL
ZN	ZINC NICKEL
Z	SHOT BLAST (NICKEL ALUMINIUM BRONZE ONLY)
J	PASSIVATE (STAINLESS STEEL ONLY)

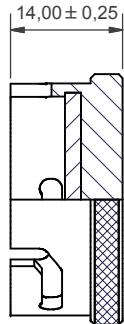
NOTE 2 - TABLES 4, 5 & 6 NOT EXHAUSTIVE FOR COMPREHENSIVE LIST AND SPECS SEE WEBSITE

TABLE 2

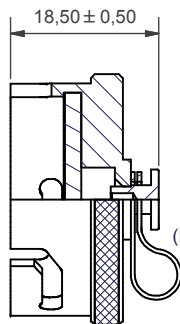
EYELET REF.	F
01	3,2
02	3,7
03	4,3
04	5,3
05	6,4

TABLE 3

RING REF.	E MAX
08	15,1
10	18,0
12	22,6
14	25,8
16	28,8
18	32,0
20	35,0
22	38,3
24	41,7

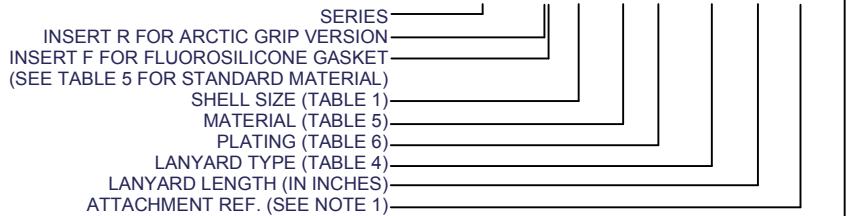


100P603-16-1-C
NO ATTACHMENT VERSION



100P603-16-1-C-EO
EYELET ONLY VERSION
(EYELET SIZE OPTIONS NOT AVAILABLE)

100P603-16-1-C-WR4-16



100P603 DATA SHEET
RECEPTACLE PROTECTION CAP
TO FIT CONNECTOR:
MIL-DTL-26482 SERIES I & II

DRAWING NOT TO SCALE - DIMENSIONS IN MM

THIS DRAWING IS THE COPYRIGHT AND THE PROPERTY OF POLAMCO LTD. IT MUST NOT BE COPIED, USED FOR MANUFACTURE OR OTHERWISE DISCLOSED WITHOUT WRITTEN CONSENT OF THE COMPANY

ISSUE
3
DATE
02/09/2009



POLAMCO LTD

WESTON LOCK
LOWER BRISTOL ROAD
BATH BA2 1EP